

CITY OF REDONDO BEACH

415 Diamond Street, Door E., Redondo Beach, CA 90277

SUBMITTAL #2 - SHOP DRAWINGS

JOB # 1007-ZEG

DATE: 10-13-08



ARCHITECTURAL &
ENVIRONMENTAL GRAPHICS
DIVISION

9719 SANTA FE SPRINGS RD., SANTA FE SPRINGS, CA 90670 P 562-941-4633 F 562-781-5088

APPROVED FOR FABRICATION 10-13-08

COLOR SCHEDULE

NO.	COLOR	MATERIAL	FINISH	COLOR TO MATCH
I1	RED	INK	TRANS.	AKZO NOBEL 408-B-5
I2	LIGHT BLUE	INK	TRANS.	AKZO NOBEL 483-A-5
I3	DARK BLUE	INK	TRANS.	AKZO NOBEL 485-E-5
I4	YELLOW	INK	TRANS.	AKZO NOBEL 423-D-6
P1	DARK BLUE	PAINT	SATIN	AKZO NOBEL 485-H-4



ARCHITECTURAL &
ENVIRONMENTAL GRAPHICS
DIVISION

9719 SANTA FE SPRINGS RD., SANTA FE SPRINGS, CA 90670
P 562-941-4633 F 562-781-5088

THE DATA IN THIS DOCUMENT MAY INCORPORATE PROPRIETARY RIGHTS OF THE CLIENT. ANY PARTY ACCEPTING THIS DOCUMENT DOES SO IN CONFIDENCE AND AGREES THAT IT SHALL NOT BE DUPLICATED, IN WHOLE OR IN PART, NOR DISCLOSED TO OTHERS, WITHOUT THE WRITTEN CONSENT OF THE CLIENT. CONTRACTOR SHALL VERIFY ALL CONDITIONS ON THE JOB SITE AND NOTIFY THE PROJECT ENGINEER OF ANY VARIATIONS FROM THE DIMENSIONS SHOWN ON THESE DRAWINGS BEFORE PROCEEDING WITH ANY CONSTRUCTION. WRITTEN DIMENSIONS TO SET PRECEDENCE OVER SCALED DRAWINGS.

REVISIONS
 09-17-08 REV. _____

APPROVED AS SHOWN AS NOTED
 APPROVED BY: _____
 DATE: _____

PROJECT:
 CITY OF REDONDO BEACH
 415 DIAMOND ST. DOOR E
 REDONDO BEACH, CA 90277
 SALES PERSON: RICH GOMEZ

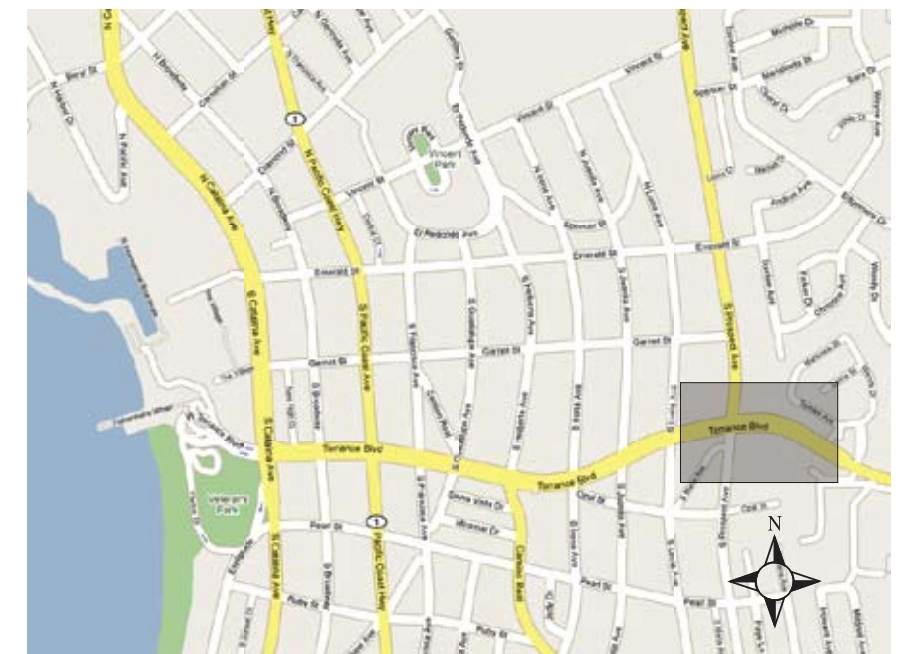
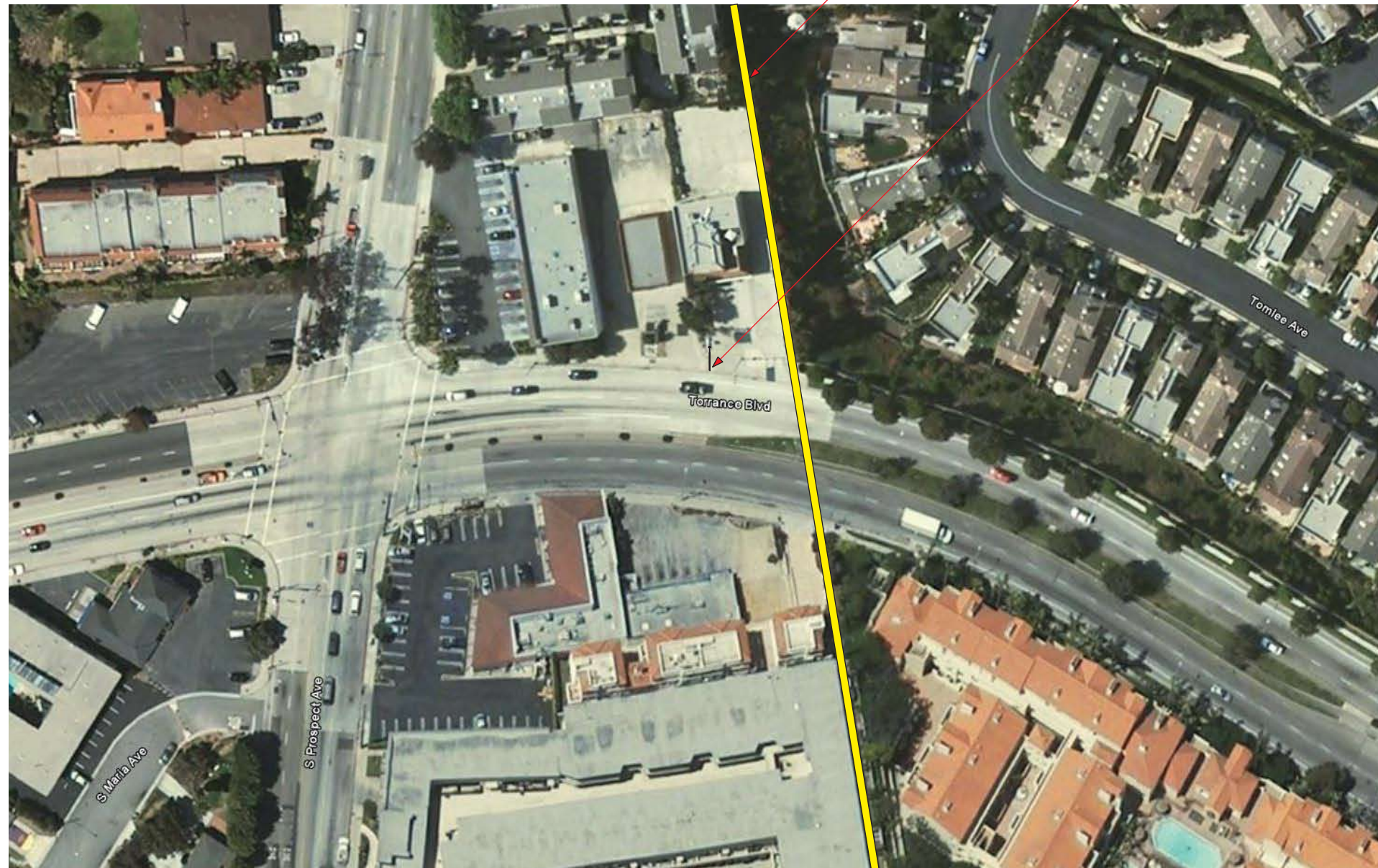
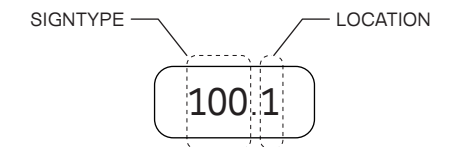
TITLE:
 COLOR SCHEDULE
 JOB NUMBER: 1007-ZEG

DRAWN BY: EDDIE SAYERS START DATE: 08-27-08
 SHEET NUMBER: CORB-CS

SIGNTYPE KEY

ST-1	IDENTITY SIGN	QTY: 1
------	---------------	--------

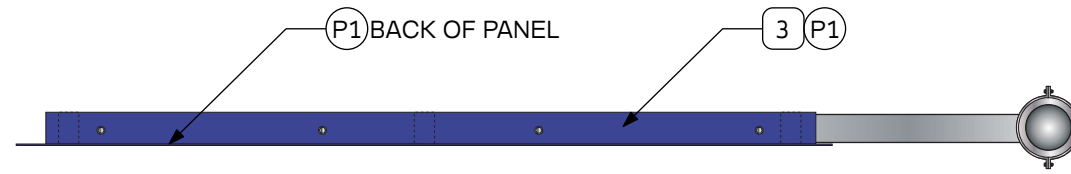
SIGNTYPE NUMBERING LEGEND



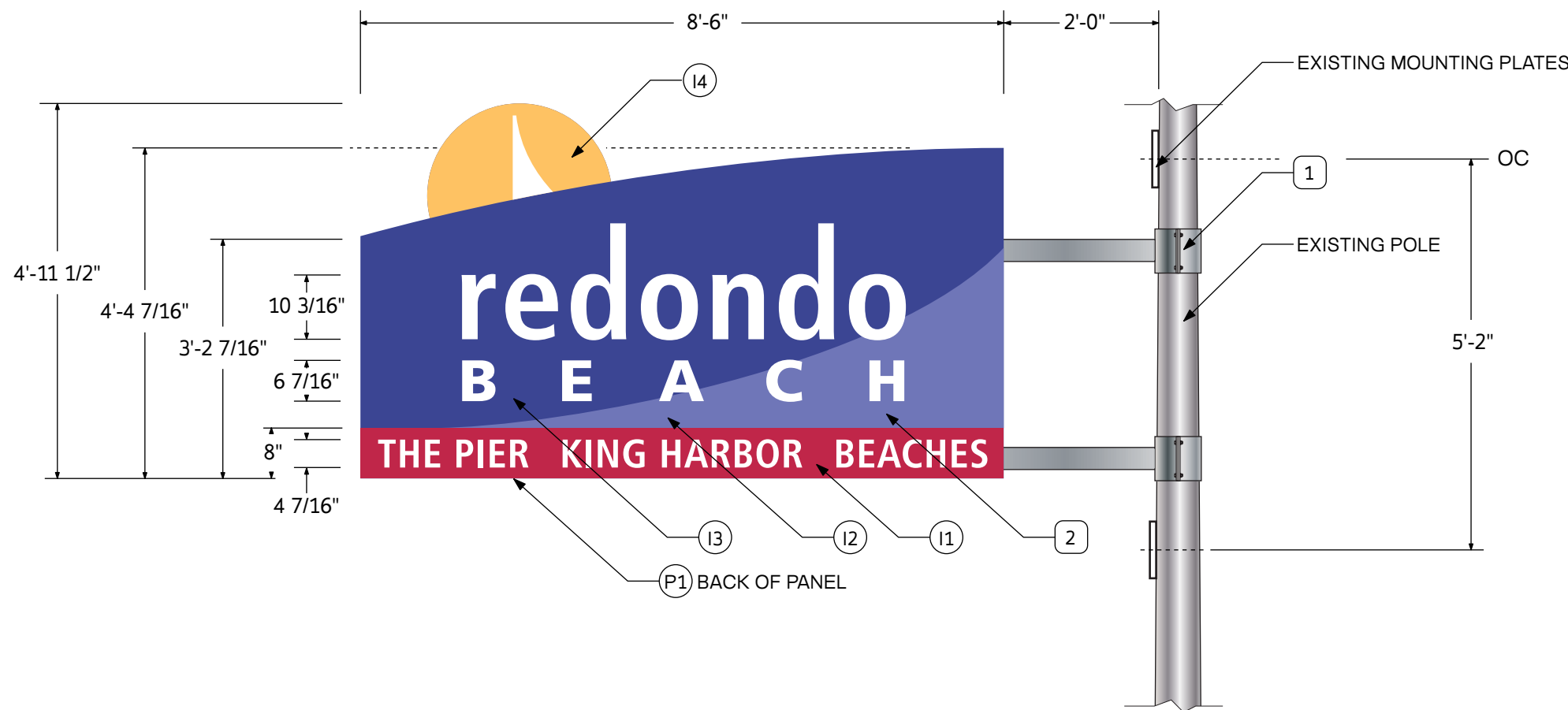
1 LOCATION PLAN
SCALE: N.T.S

NOTES AND SPECIFICATIONS

- 1 3/8" THK. FABRICATED GALVANIZED STEEL BRACKET W/ 3" DIA WELDED STEEL PIPE SUPPORT ARM: SUPPORT ARM TO SLIDE INTO HORIZ ALUM. SQ. TUBE FRAME AND BE MECHANICALLY FASTENED.
- 2 3/16" THK. ALUM. PANEL W/ 3M HIP GRADE REFLECTIVE SHEETING OVERLAY AND TRANSLUCENT INK SCREEN PRINTED GRAPHICS. NOTE: ALL WHITE SHOWN TO BE REVERSED OUT COPY.
- 3 4" PAINTED ALUM. SQ. TUBE FRAME WELDED TO BACK OF ALUM. FACE PANEL.



1 PLAN VIEW
SCALE: 1/2" = 1'-0"



2 ELEVATION
SCALE: 1/2" = 1'-0"



2 LOCATION ELEVATION
SCALE: 3/16" = 1'-0"

REVISIONS

△	_____
△	_____
△	_____

APPROVED AS SHOWN AS NOTED

APPROVED BY: _____

DATE: _____

PROJECT:
CITY OF REDONDO BEACH
415 DIAMOND ST. DOOR E
REDONDO BEACH, CA 90277

SALES PERSON: RICH GOMEZ

TITLE:
SIGN TYPE 1
IDENTITY PANEL
FABRICATION DETAILS

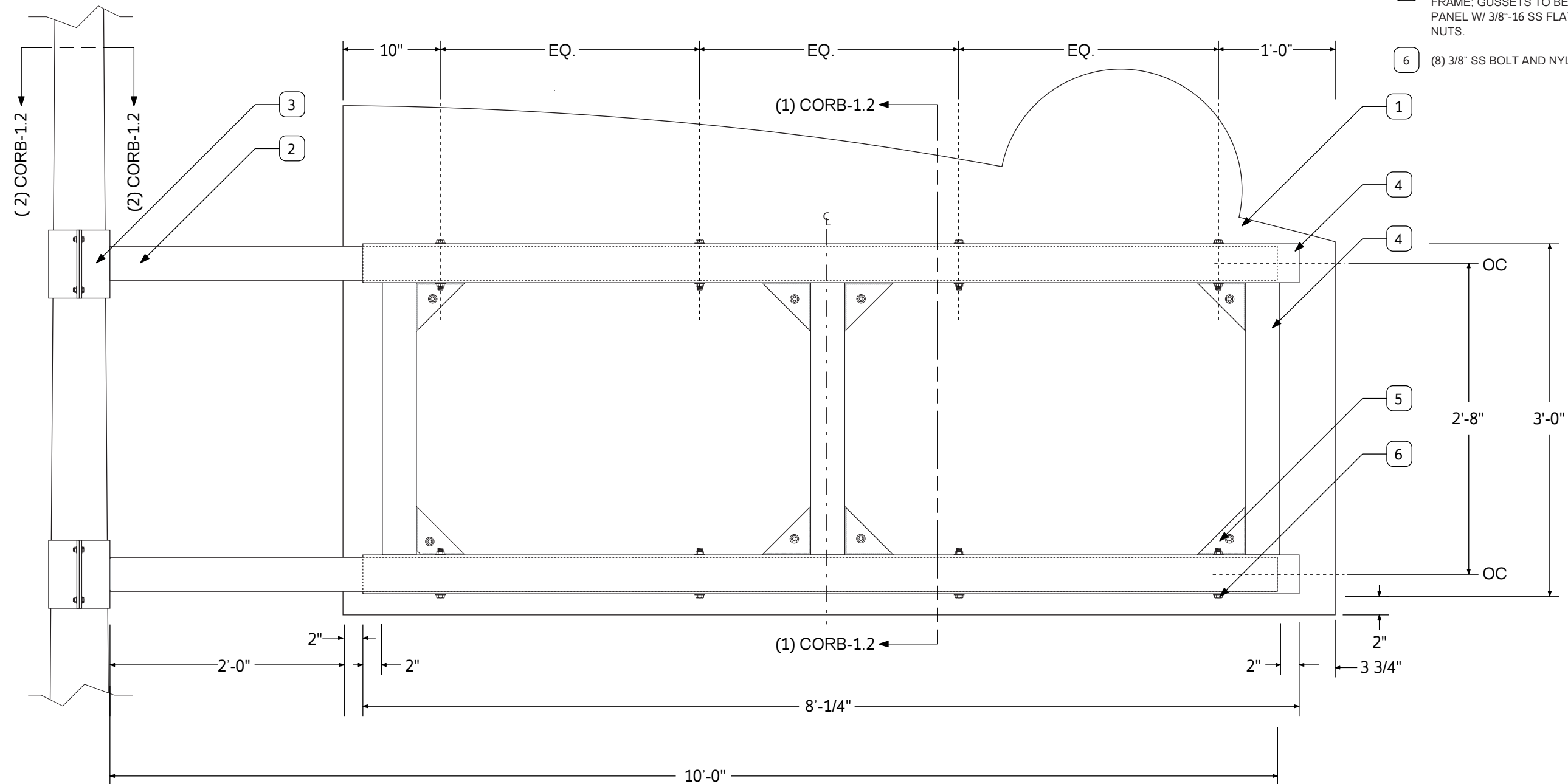
JOB NUMBER: 1007-ZEG

DRAWN BY: EDDIE SAYERS START DATE: 08-27-08

SHEET NUMBER
CORB-1.0

NOTES AND SPECIFICATIONS

- 1 3/16" THK. ALUM. PANEL W/ 3M HIP GRADE REFLECTIVE SHEETING OVERLAY AND TRANSLUCENT INK SCREEN PRINTED GRAPHICS.
- 2 10" X 3" DIA. X .216 WALL A53 GRADE B SCH. 40 GALVANIZED STEEL PIPE WELDED TO 3/8" WALL FABRICATED GALVANIZED STEEL BRACKET.
- 3 3/8" WALL FABRICATED GALVANIZED STEEL BRACKET WELDED TO 3" DIA. SCH. 40 GALVANIZED STEEL PIPE SUPPORT ARM.
- 4 4" X 1/8" WALL PAINTED ALUM. SQ. TUBE FRAME WELDED TO BACK OF ALUM. FACE PANEL.
- 5 (8) 5" x 5" x 1/4" WALL ALUM. GUSSET WELDED TO ALUM. STRUCTURAL FRAME: GUSSETS TO BE MECHANICALLY FASTENED TO ALUM. FACE PANEL W/ 3/8"-16 SS FLAT HEAD COUNTERSUNK BOLTS AND NYLON NUTS.
- 6 (8) 3/8" SS BOLT AND NYLON NUT.



1 BACK VIEW AND FRAME ELEVATION

SCALE: 1" = 1'-0"

ZUMAR

ARCHITECTURAL &
ENVIRONMENTAL GRAPHICS
DIVISION

9719 SANTA FE SPRINGS RD., SANTA FE SPRINGS, CA 90670
P 562-941-4633 F 562-781-5088

THE DATA IN THIS DOCUMENT MAY INCORPORATE PROPRIETARY RIGHTS OF THE CLIENT. ANY PARTY ACCEPTING THIS DOCUMENT DOES SO IN CONFIDENCE AND AGREES THAT IT SHALL NOT BE DUPLICATED, IN WHOLE OR IN PART, NOR DISCLOSED TO OTHERS, WITHOUT THE WRITTEN CONSENT OF THE CLIENT. CONTRACTOR SHALL VERIFY ALL CONDITIONS ON THE JOB SITE AND NOTIFY THE PROJECT ENGINEER OF ANY VARIATIONS FROM THE DIMENSIONS SHOWN ON THESE DRAWINGS BEFORE PROCEEDING WITH ANY CONSTRUCTION. WRITTEN DIMENSIONS TO SET PRECEDENCE OVER SCALED DRAWINGS.

REVISIONS

△ _____
△ _____
△ _____

APPROVED AS SHOWN AS NOTED

APPROVED BY: _____

DATE: _____

PROJECT:

CITY OF REDONDO BEACH
415 DIAMOND ST. DOOR E
REDONDO BEACH, CA 90277

SALES PERSON: RICH GOMEZ

TITLE:

SIGN TYPE 1
IDENTITY PANEL
FABRICATION DETAILS

JOB NUMBER: 1007-ZEG

DRAWN BY:

EDDIE SAYERS

SHEET NUMBER

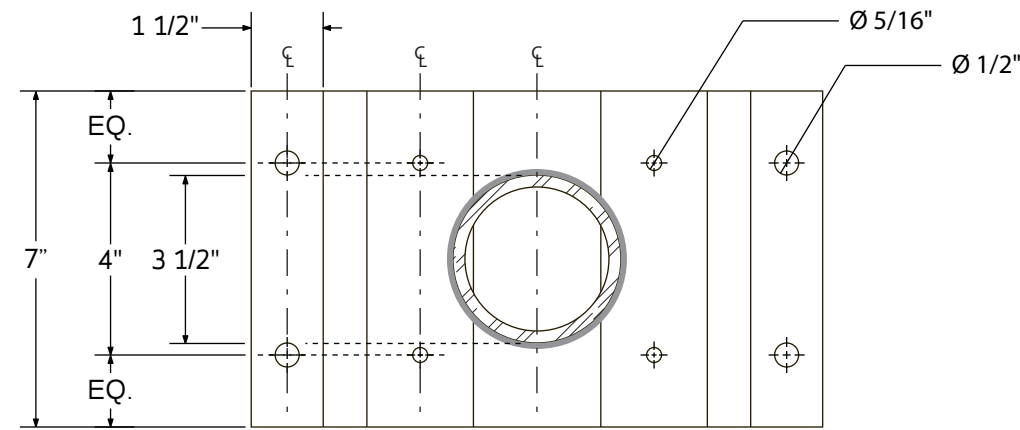
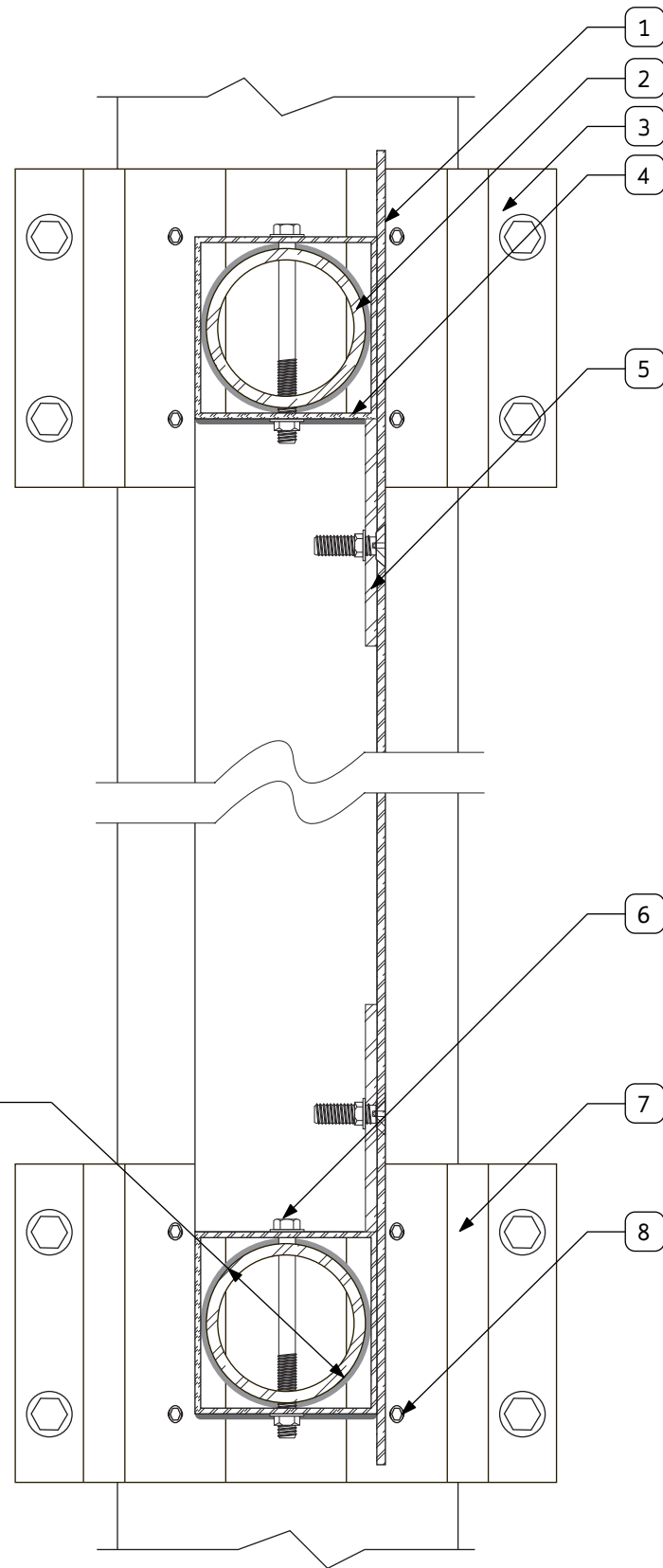
CORB-1.1

START DATE

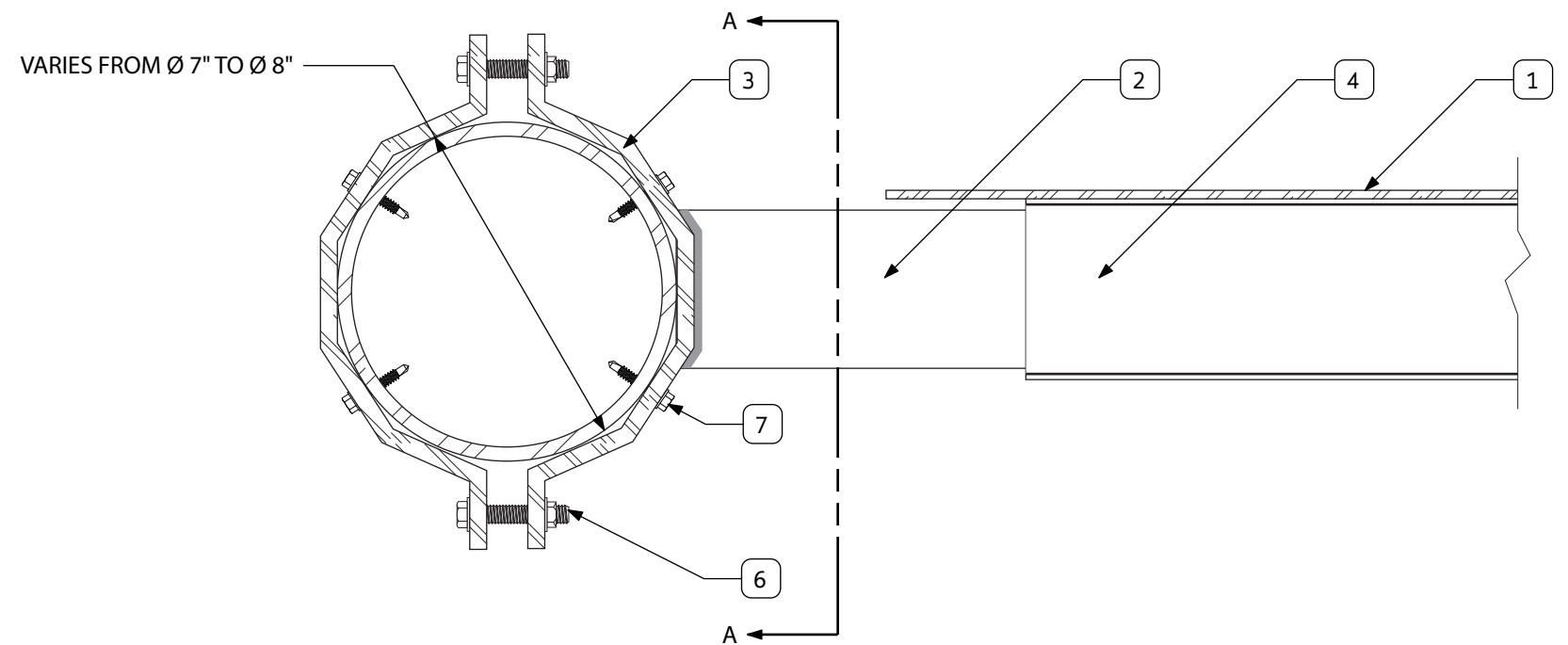
08-27-08

NOTES AND SPECIFICATIONS

- 1 3/16" THK. ALUM. PANEL W/ 3M HIP GRADE REFLECTIVE SHEETING OVERLAY AND TRANSLUCENT INK SCREEN PRINTED GRAPHICS.
- 2 10" X 3" DIA. X .216 WALL SCH. 40 GALVANIZED STEEL PIPE WELDED TO 3/8" WALL FABRICATED GALVANIZED STEEL BRACKET.
- 3 3/8" WALL FABRICATED GALVANIZED STEEL BRACKET WELDED TO 3" DIA. SCH. 40 GALVANIZED STEEL PIPE SUPPORT ARM.
- 4 4" X 1/8" WALL PAINTED ALUM. SQ. TUBE FRAME WELDED TO BACK OF ALUM. FACE PANEL.
- 5 (8) 3/8" X 6" SS BOLT AND NYLON NUT.
- 6 (4) 3/8" X 2 1/2" SS (ASTM F593) BOLT AND (ASTM F594)NUT.
- 7 (8) 1/4-14 HILTI (ESR-2196) KWIK PRO S.D.S. SET SCREW.



A SECTION
SCALE: 3" = 1'-0"



1 SECTION
SCALE: 3" = 1'-0"

2 SECTION
SCALE: 3" = 1'-0"

SIGN AND SUPPORT ARMS TO REMOVED
 NOTE: SIGN TO BE PRESERVED AND DELIVERED TO CITY



1 EXISTING ELEVATION
 SCALE: N.T.S.

1 PROPOSED ELEVATION
 SCALE: N.T.S.